

## HX-AMF-03

### RGBW Amplifier

HX-AMF-03 RGBW Amplifier is compatible with all our company RGBW LED controller. It receive in and transmit out PWM signal. Adding one HX-AMF-03 RGBW amplifier, more 384W (12V) led strips can be derived. In theory, RGBW amplifier can be connected to numerous.



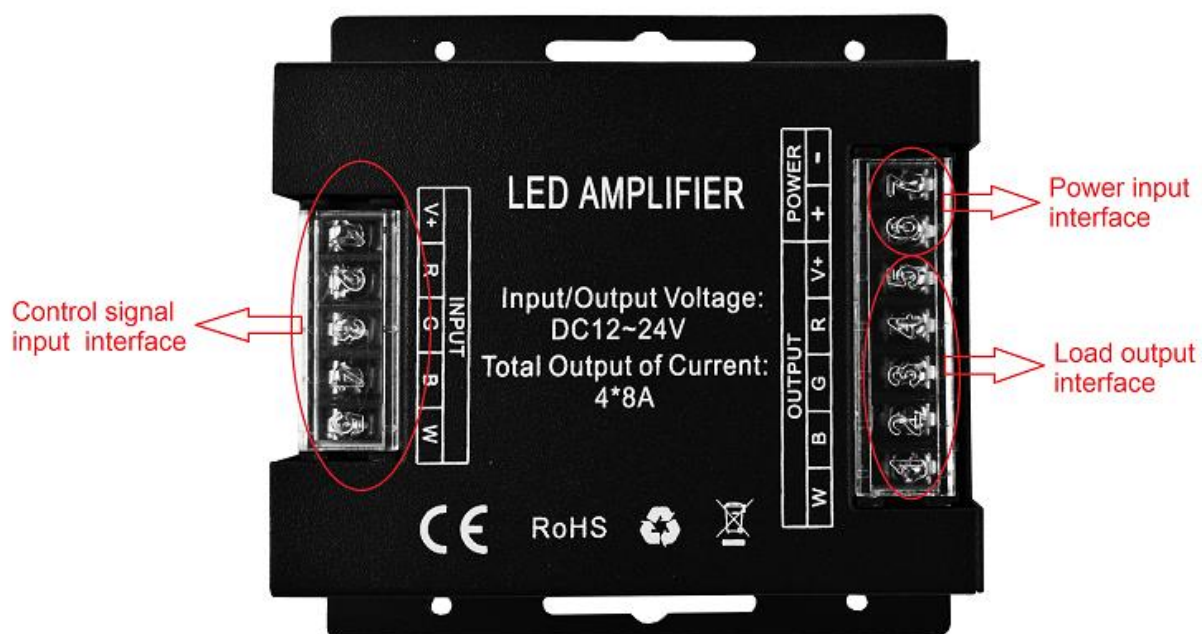
### Product Feature

- AMF is constant voltage product, it can work with all kinds of the constant voltage 4 CHs controller.
- Adding one HX-AMF-03 RGBW amplifier, more 384W (12V) led strips can be derived.
- Output to RGBW four channels, each channel max current up to 8A.
- HX-AMF-03 RGBW amplifier is compatible with all our company RGBW LED controller.
- 3- year warranty.

## Technical Parameters

<b>Working temperature</b>	-20-60°C
<b>Supply voltage</b>	DC12V~24V
<b>Output</b>	4 channels
<b>Connecting mode</b>	common anode
<b>External dimension</b>	L91*W88*H24 mm
<b>Packing size</b>	L94*W92*H26 mm
<b>Net weight</b>	190g
<b>Gross weight</b>	220g
<b>Static power consumption</b>	<1W
<b>Output current</b>	≤8A(each channel)
<b>Output power</b>	12V:≤384W, 24V:≤768W

## Interface Specifications

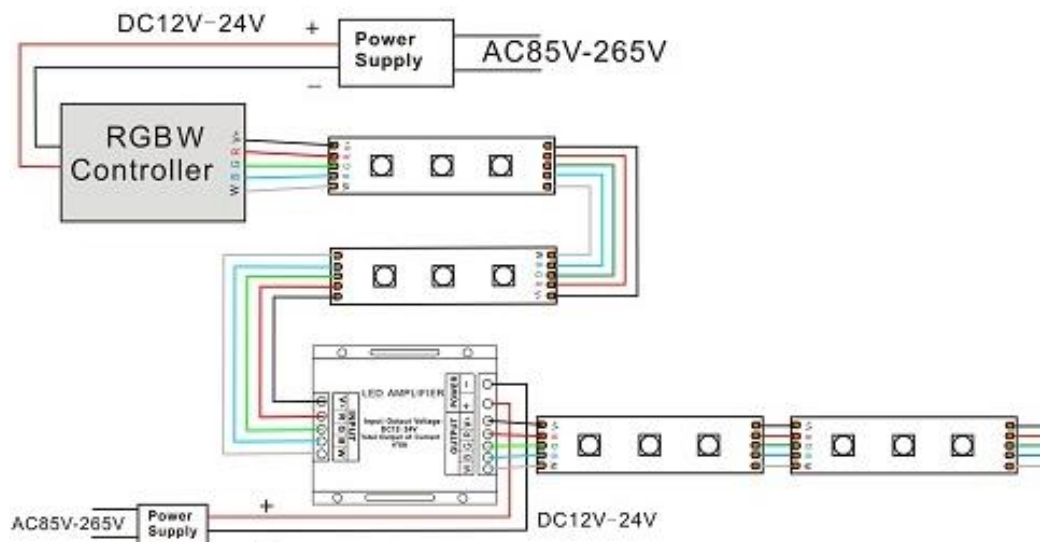


## Direction for use

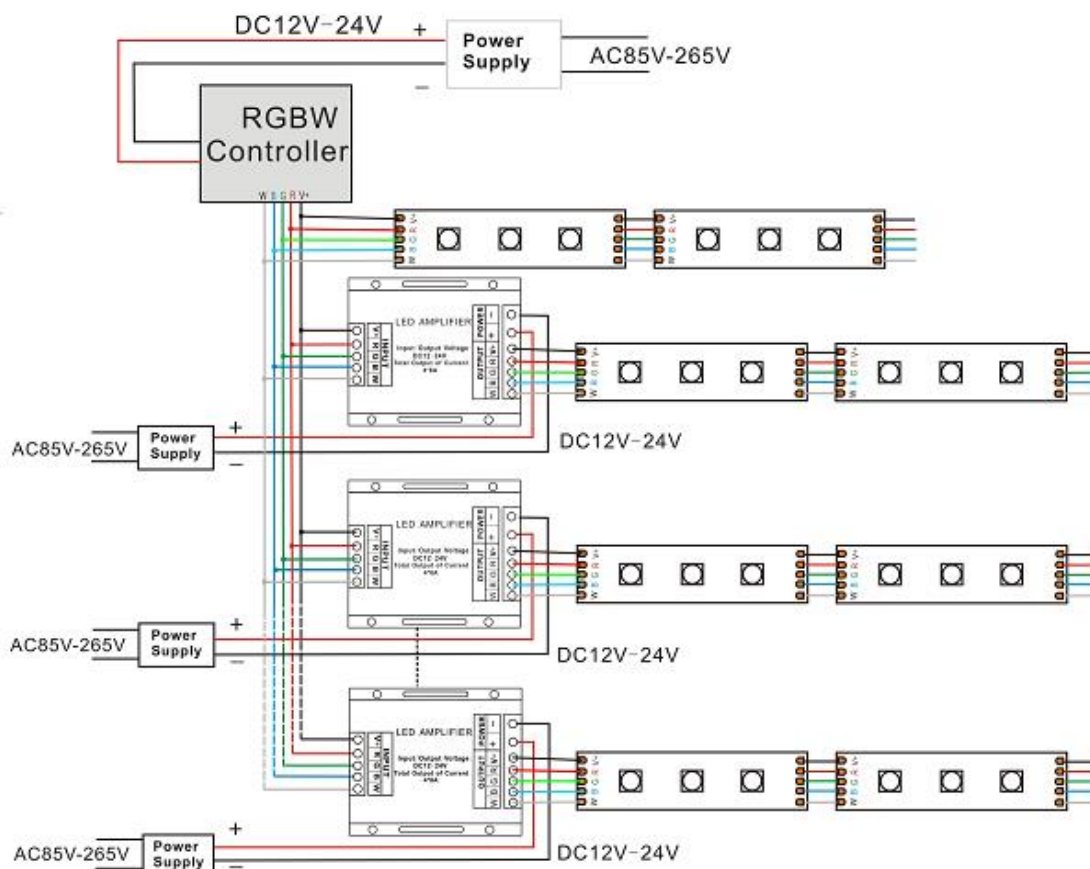
Seriously according to the print sign on the RGBW amplifier iron box, connect the input and output signal lines correctly. Then connect the power supplier to the RGBW amplifier Power. Specifically for the connection with LED controller and LED strip, please refer to the following <Typical Applications>.

### Typical Applications

Application Circuit1- Serial connection



Application Circuit2- Parallel connection



Product information for placing order

Product name	Item number
RGBW Amplifier	HX-AMF-03